

SunLight2[®]

INSPIRED BY NATURE



PETRA[™] Pendant Light



The Petra[™] Alabaster Stone Pendant Light is a stunning addition to any space, combining natural elegance with modern design. Crafted from high-quality alabaster sourced directly from Spain, its subtle variations in color create a sense of depth and character, making each piece one-of-a-kind. It features a smooth, luminous surface with unique veining, allowing soft light to diffuse beautifully.

Key Features

Dim-to-Warm: Transform your ambiance from 3000K to comforting sunset glow of 1800K, reminiscent of soothing candlelight.

Natural Material: Crafted from premium white alabaster sourced directly from Spain.

Unique Variations: Each hand-picked stone showcases distinct natural beauty and grain patterns.

Optimal Illumination: Pair with our SunLight2[®] MiniGlobe bulb for a optimal lighting experience, generating up to 270 lumens.

Energy-Efficient Lighting: Integrated high CRI 96+, R9 80+ LED for long-lasting performance and reduced energy consumption.

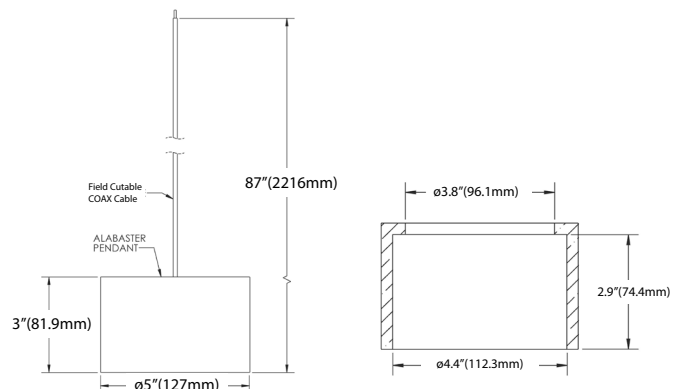
Eco-Friendly Material: Alabaster is a natural stone, making it an environmentally friendly choice.

Petra Pendant						
Model Number	Wattage	Input Voltage	**CCT	Lumens (MiniGlobe bulb)	Material	Hardware Finishes
PD33018KWHSN	3.7W	12V AC/DC	3000K dims to 1800K	270lm	Alabaster	Satin Nickel
PD33018KWHAB	3.7W	12V AC/DC		270lm		Aged Brass

** Other CCT options available*

APPLICATIONS:

- Residential & hospitality lighting
- Accent lighting
- Tabletop and countertop lighting
- Retail Lighting
- Commercial Lighting



SunLight2[®], LLC. 11966 Oak Creek Pkwy Unit P, Huntley IL 60142 U.S.A.

PHONE: (224) 654-6376 FAX: (773) 337-5628 EMAIL: sales@sunlight2.com, www.SunLight2.com

© SunLight2, LLC. All rights reserved. SunLight2[®] reserves the right to change specifications for product improvements without notification

PETRA™ Pendant



SunLight2®. 11966 Oak Creek Pkwy Unit P, Huntley IL 60142 U.S.A.

PHONE: (224) 654-6376 FAX: (773) 337-5628 EMAIL: sales@sunlight2.com, www.SunLight2.com

© SunLight2®. All rights reserved. SunLight2® reserves the right to change specifications for product improvements without notification