

TA150W24VOCC Series

Passive Infrared Occupancy Sensor Module



| | |
|-------------------------------|-----------------------------|
| Detecting Mode | Movement |
| Detecting Theory | Passive Infrared Rays |
| Detecting Range | 6 Meters (20 ft.) |
| Detecting Angle | 120° |
| Light Control Reaction | 5LUX - 2000LUX (adjustable) |
| Working Voltage | 12V - 24V DC |
| Power | <0.1W |
| Load Capability | 6A Max. |
| Load Type | LED Lighting |
| Ambient Temp. | -20°C - +50°C |



Passive Infrared Motion Sensor Module is UL listed with a unique and slim line form factor being offered in two models: Occupancy Sensor and Reverse Occupancy models. The sensor is designed to detect the occupancy of an area and automatically control low voltage lighting systems. The module will turn on the lights when occupancy (motion) is detected and remains on for a specified period of time after activity is no longer detected (user-adjustable). Automatic lighting control improves convenience, safety, and energy savings. The reverse Occupancy model is recommended for applications such as UVc lights where the off mode is desired when occupancy is detected.

FEATURES

- Automatic detecting
- Light control reaction adjustable
- Automatically time delayed (constantly time delayed mode)
- Delayed time adjustable
- Self detecting function
- UL Listed

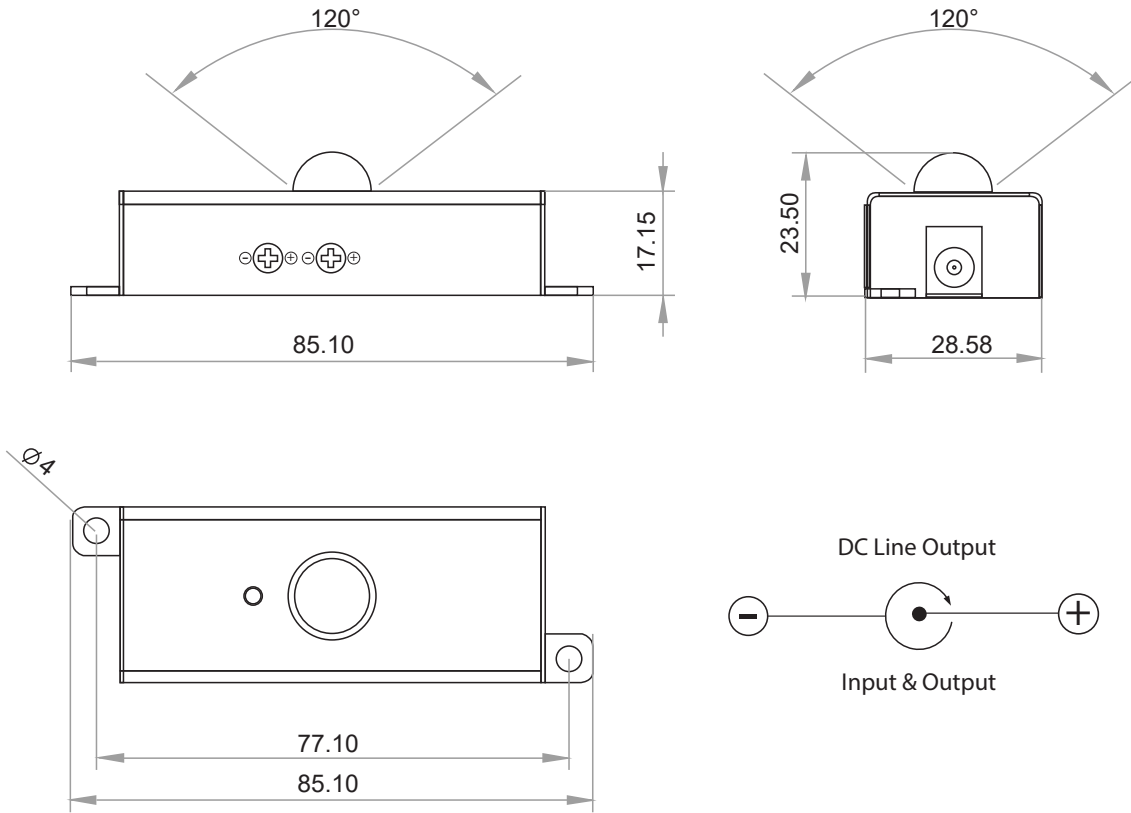
MODEL SPECIFICATIONS

| Model Number | Occupied Detection | Unoccupied Detection |
|-------------------|--------------------|----------------------|
| TA150W24VOCC-0000 | Turns On | Turns Off |
| TA150W24VOCC-0037 | Turns Off | Turns On |

* Ask for more details

MECHANICAL SPECS

| Form Factor | Dimensions |
|-------------|----------------------|
| OCC | 85.1 x 28.6 x 23.5mm |



OCCUPANCY SENSOR CONTROLS

